

80*80*25mm Ya-cool 19 ~ 23 CFM



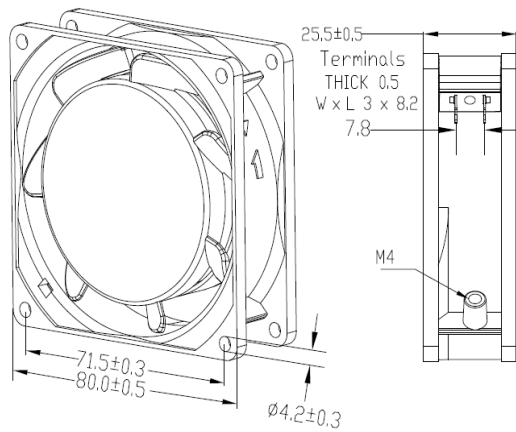
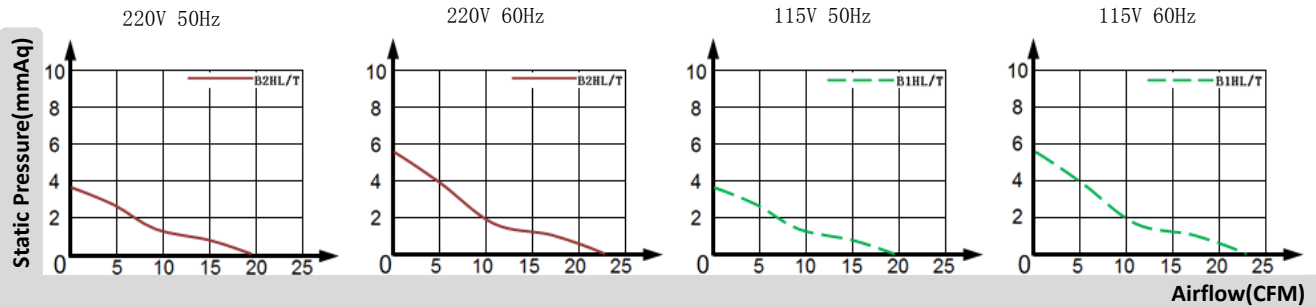
Specifications

Model	Bearing	Voltage	Frequency	Current	Power	Speed	Air Flow		Static Pressure	Noise
		VAC	Hz	A	W	RPM	CFM	m ³ /min	mm H ₂ O	dB-A
8025B2HL	Ball	220-240	50/60	0.09/0.07	14/10	2600/3150	19/23	0.54/0.67	3.6/5.5	30/35
8025B2HT	Ball	220-240	50/60	0.09/0.07	14/10	2600/3150	19/23	0.54/0.67	3.6/5.5	30/35
8025B1HL	Ball	115	50/60	0.18/0.14	14/10	2600/3150	19/23	0.54/0.67	3.6/5.5	30/35
8025B1HT	Ball	115	50/60	0.18/0.14	14/10	2600/3150	19/23	0.54/0.67	3.6/5.5	30/35

All model could be customized. Please contact with YYC Sales.
Specifications are subject to change without notice.

Safety: **UL/TUV/CE/CCC**

Air Flow-Static Pressure Characteristics



Unit: mm

Frame: Aluminum alloy

Impeller: PBT Plastic

Protected: Impedance protected

Connection: Lead Wire or Terminals

Ball Bearing: -20 °C to +70 °C

Sleeve Bearing: -10 °C to +70 °C

Package: 50PCS/CTN