

172\*150\*51mm  
 7 Impellers  
 133 ~ 200 CFM



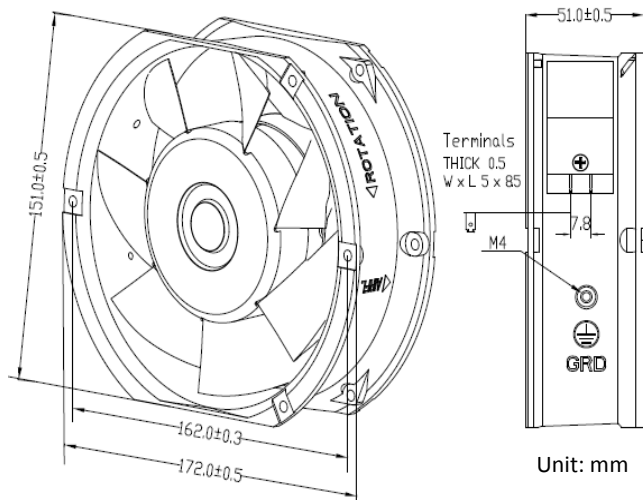
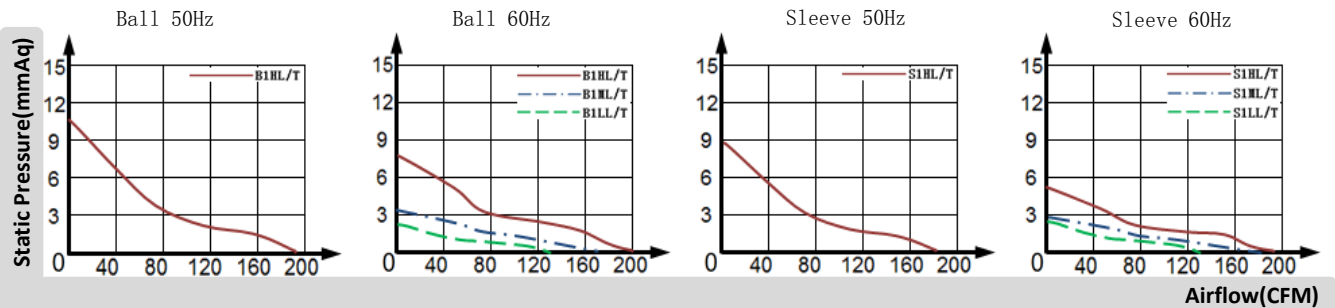
Specifications

Model	Bearing	Voltage	Frequency	Current	Power	Speed	Air Flow		Static Pressure	Noise
		VAC	Hz	A	W	RPM	CFM	m <sup>3</sup> /min	mm H <sub>2</sub> O	dB-A
15050B1HL	Ball	115	50/60	0.63/0.56	46/41	2700/3000	190/200	5.38/5.67	10.7/7.8	57/61
15050B1HT	Ball	115	50/60	0.63/0.56	46/41	2700/3000	190/200	5.38/5.67	10.7/7.8	57/61
15050B1ML	Ball	115	60	0.43	32	2450	172	4.87	3.2	53
15050B1MT	Ball	115	60	0.43	32	2450	172	4.87	3.2	53
15050B1LL	Ball	115	60	0.38	29	2000	133	3.77	2.2	45
15050B1LT	Ball	115	60	0.38	29	2000	133	3.77	2.2	45
15050S1HL	Sleeve	115	50/60	0.65/0.57	47/43	2700/2900	182/195	5.15/5.52	8.8/5.2	56/59
15050S1HT	Sleeve	115	50/60	0.65/0.57	47/43	2700/2900	182/195	5.15/5.52	8.8/5.2	56/59
15050S1ML	Sleeve	115	60	0.46	35	2500	170	4.82	2.8	53
15050S1MT	Sleeve	115	60	0.46	35	2500	170	4.82	2.8	53
15050S1LL	Sleeve	115	60	0.43	32	1900	133	3.77	2.2	44
15050S1LT	Sleeve	115	60	0.43	32	1900	133	3.77	2.2	44

All model could be customized. Please contact with YYC Sales.  
 Specifications are subject to change without notice.

Safety: UL/TUV/CE/CCC

Air Flow-Static Pressure Characteristics



- Frame: Aluminum alloy
- Impeller: PBT Plastic
- Protected: Impedance protected or Thermally protected
- Connection: Lead Wire or Terminals
- Ball Bearing: -20 °C to +70 °C
- Sleeve Bearing: -10 °C to +70 °C
- Package: 20PCS/CTN