

120*120*38mm
 7 Impellers
 70 ~ 105CFM



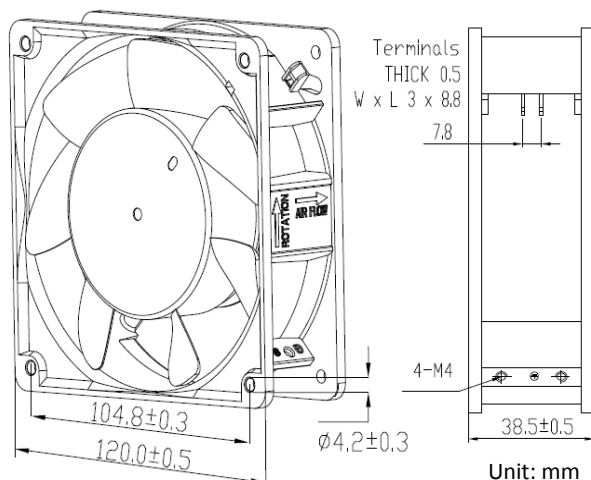
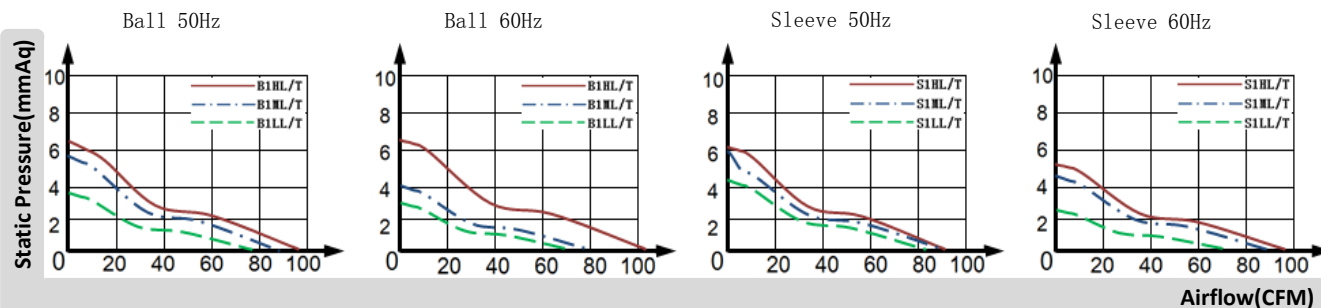
Specifications

Model	Bearing	Voltage	Frequency	Current	Power	Speed	Air Flow		Static Pressure	Noise
		VAC	Hz	A	W	RPM	CFM	m ³ /min	mm H ₂ O	dB-A
12038B1HL	Ball	115	50/60	0.24/0.21	19/17	2500/2600	95/105	2.70/2.97	6.6/6.6	42/45
12038B1HT	Ball	115	50/60	0.24/0.21	19/17	2500/2600	95/105	2.70/2.97	6.6/6.6	42/45
12038B1ML	Ball	115	50/60	0.19/0.17	15/14	2350/2200	90/80	2.55/2.27	5.6/4.0	40/39
12038B1MT	Ball	115	50/60	0.19/0.17	15/14	2350/2200	90/80	2.55/2.27	5.6/4.0	40/39
12038B1LL	Ball	115	50/60	0.16/0.15	13/12	2100/2000	78/72	2.21/2.04	3.8/3.0	37/35
12038B1LT	Ball	115	50/60	0.16/0.15	13/12	2100/2000	78/72	2.21/2.04	3.8/3.0	37/35
12038S1HL	Sleeve	115	50/60	0.25/0.22	19/17	2450/2550	92/95	2.60/2.70	6.1/5.3	41/43
12038S1HT	Sleeve	115	50/60	0.25/0.22	19/17	2450/2550	92/95	2.60/2.70	6.1/5.3	41/43
12038S1ML	Sleeve	115	50/60	0.22/0.20	17/16	2400/2400	90/90	2.55/2.55	6.0/4.6	41/41
12038S1MT	Sleeve	115	50/60	0.22/0.20	17/16	2400/2400	90/90	2.55/2.55	6.0/4.6	41/41
12038S1LL	Sleeve	115	50/60	0.17/0.16	13/12	2300/1950	85/70	2.41/1.98	4.7/2.6	40/35
12038S1LT	Sleeve	115	50/60	0.17/0.16	13/12	2300/1950	85/70	2.41/1.98	4.7/2.6	40/35

All model could be customized. Please contact with YYC Sales.
 Specifications are subject to change without notice.

Safety: UL/TUV/CE/CCC

Air Flow-Static Pressure Characteristics



- Frame: Aluminum alloy
- Impeller: PBT Plastic
- Protected: Impedance protected
- Connection: Lead Wire or Terminals
- Ball Bearing: -20 °C to +70 °C
- Sleeve Bearing: -10 °C to +70 °C
- Package: 40PCS/CTN