

92*92*25mm

22 ~ 34 CFM



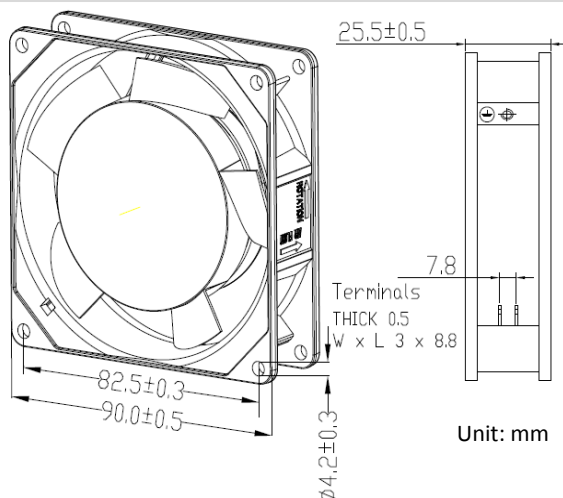
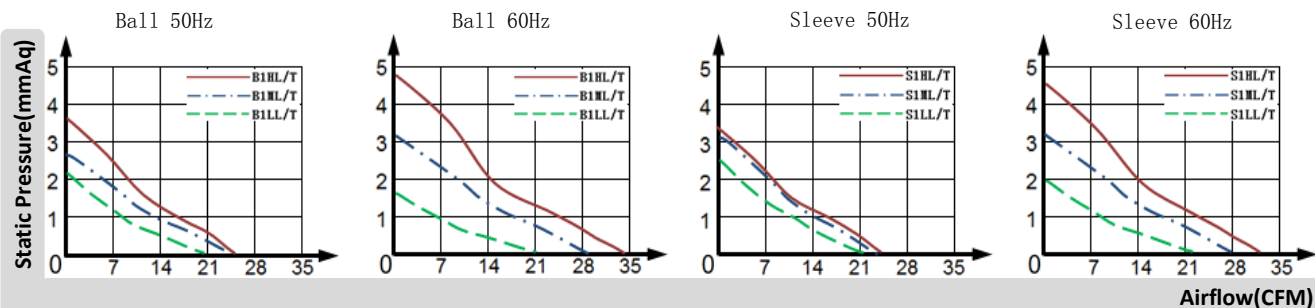
Specifications

Model	Bearing	Voltage	Frequency	Current	Power	Speed	Air Flow		Static Pressure	Noise
		VAC	Hz	A	W	RPM	CFM	m ³ /min	mm H ₂ O	dB-A
9225B1HL	Ball	115	50/60	0.18/0.15	15.5/12.3	2600/3100	25/34	0.71/0.96	3.5/4.8	34/37
9225B1HT	Ball	115	50/60	0.18/0.15	15.5/12.3	2600/3100	25/34	0.71/0.96	3.5/4.8	34/37
9225B1ML	Ball	115	50/60	0.06/0.05	5.3/4.3	2400/2600	24/29	0.68/0.82	2.7/3.1	32/34
9225B1MT	Ball	115	50/60	0.06/0.05	5.3/4.3	2400/2600	24/29	0.68/0.82	2.7/3.1	32/34
9225B1LL	Ball	115	50/60	0.04/0.04	4.1/3.7	2200/2200	21/21	0.59/0.59	2.1/1.7	28/28
9225B1LT	Ball	115	50/60	0.04/0.04	4.1/3.7	2200/2200	21/21	0.59/0.59	2.1/1.7	28/28
9225S1HL	Sleeve	115	50/60	0.18/0.15	15.6/12.7	2500/3000	24/32	0.68/0.90	3.3/4.5	33/36
9225S1HT	Sleeve	115	50/60	0.18/0.15	15.6/12.7	2500/3000	24/32	0.68/0.90	3.3/4.5	33/36
9225S1ML	Sleeve	115	50/60	0.09/0.08	7.9/6.4	2400/2700	23/28	0.65/0.80	3.1/3.2	32/34
9225S1MT	Sleeve	115	50/60	0.09/0.08	7.9/6.4	2400/2700	23/28	0.65/0.80	3.1/3.2	32/34
9225S1LL	Sleeve	115	50/60	0.06/0.05	5.3/4.3	2300/2300	22/22	0.62/0.62	2.5/2.0	29/29
9225S1LT	Sleeve	115	50/60	0.06/0.05	5.3/4.3	2300/2300	22/22	0.62/0.62	2.5/2.0	29/29

All model could be customized. Please contact with YYC Sales.
 Specifications are subject to change without notice.

Safety: UL/TUV/CE/CCC

Air Flow-Static Pressure Characteristics



- Frame: Aluminum alloy
- Impeller: PBT Plastic
- Protected: Impedance protected
- Connection: Lead Wire or Terminals
- Ball Bearing: -20 °C to +70 °C
- Sleeve Bearing: -10 °C to +70 °C
- Package: 50PCS/CTN